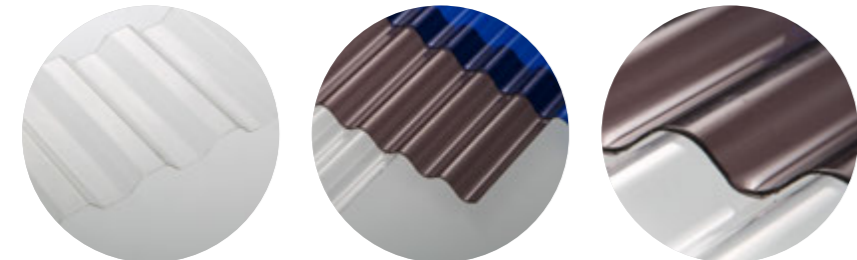




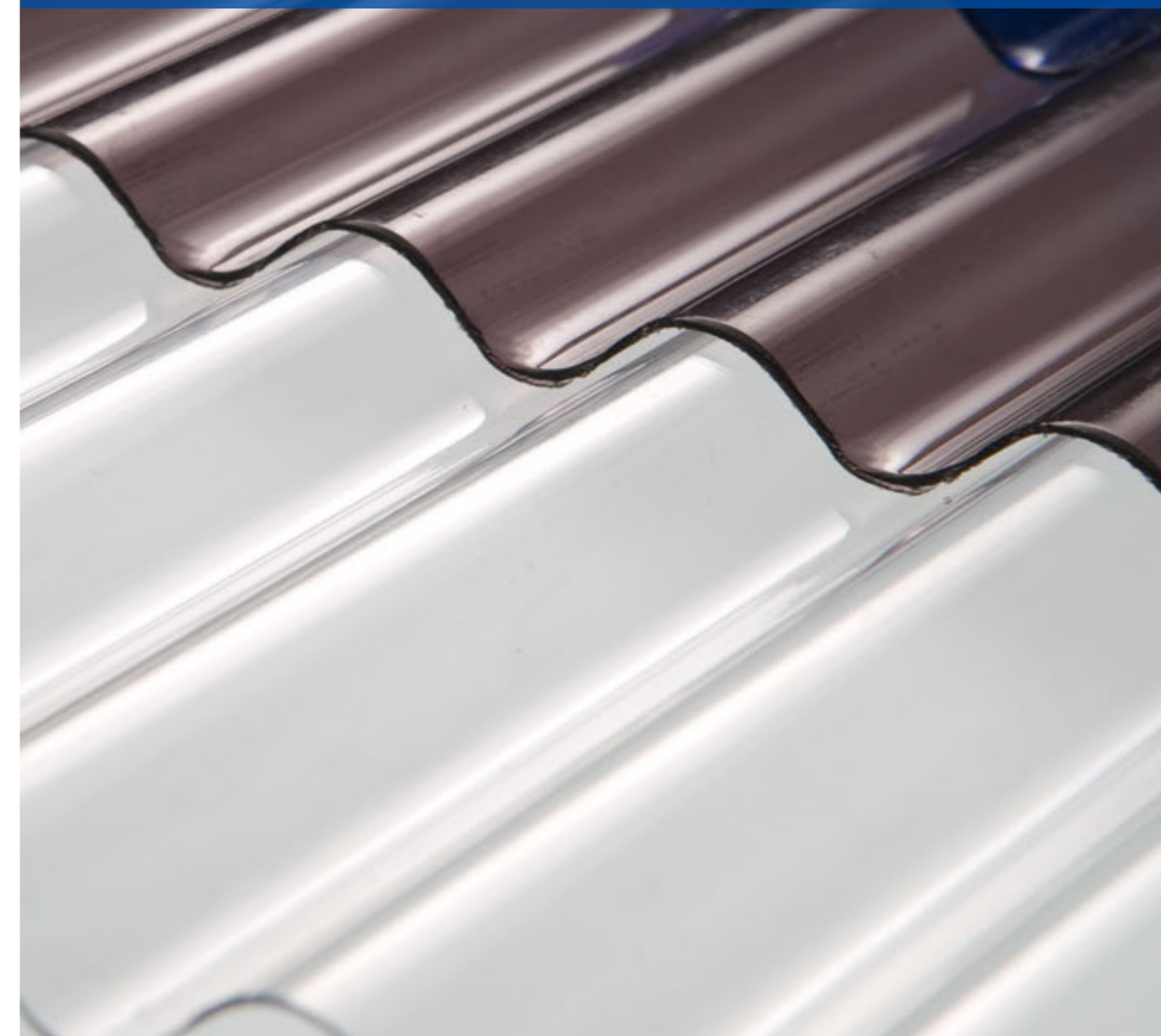
Up to 50% better heat reduction than standard corrugated sheet



-  Calidad Óptica
-  Ahorrador de energía
-  Protección UV
-  Áreas de vientos fuertes
-  Peso ligero
-  Resistente al impacto
-  Material sostenible



POLYCARBONATE CURRUGATED Roofing panels



**Superior UV resistance,
Easiest way for installation!**

Best material for roofing!

Aplicación

- Casas/Cubiertas de centros comerciales
- Fábricas/Cubiertas de Bodegas
- Cubiertas de gimnasios
- Cubiertas industriales y acristalamiento
- Decoración interior
- Canopy/Cubiertas para carros
- Hágalo usted mismo
- Invernaderos
- Tragaluces
- Pasarelas cubiertas

Ventajas

- Ahorro de energía
- Excelente resistencia al impacto
- Liviano
- Alta transmisión de luz solar
- Resistencia a rayos UV y al tiempo
- Excelente aislamiento térmico
- Bloquea toda la radiación UV
- Fácil instalación y manipulación
- Resistencia a la propagación del fuego



How it works How it works
 Infra red light emitted by the sun passes through polycarbonate sheet making it warm underneath. Comfort Cool-Feeling Technology reflects the heat away whilst letting visible light through with less glare.

How it works How it works
 UV rays, wind, hail and rain have the potential to make polycarbonate resins brittle and lose colour over time. Advanced Weatherguard protects the sheet and protects from harmful UV radiation.



TEL: 0086-573-87295310
 FAX: 0086-573-87805310
 MOBILE: 0086-18067071313

E-MAIL: oasis@os-factory.com
 MSN: bruce_sheng@hotmail.com
 SKYPE: bruce_sheng84

HAINING OASIS BUILDING MATERIAL CO.,LTD
 MANAGER: Bruce.Sheng
 ADD: Shanhong road, Yuanhua Town, Haining City, Zhejiang, China
 OFFICE: Room 1921, Hongyun Mansion, Nongfeng road, Haining city,Zhejiang.

Standard Profiles

OASIS polycarbonate corrugated sheets is available in a wide profile range which includes all commonly used stadia, industrial, horticultural, agricultural, and DIY profiles.

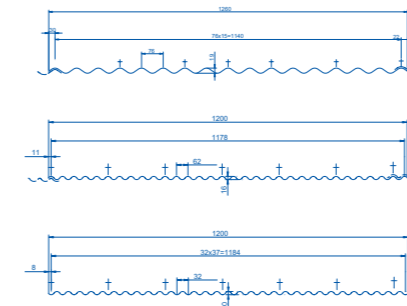
Non-standard and bespoke profiles are available for a guaranteed minimum order, profiles can be matched to most corrugated metal roofing and cladding system.

The most commonly used Profiles are illustrated below.
For details of all available profiles please request for Profile Guide.



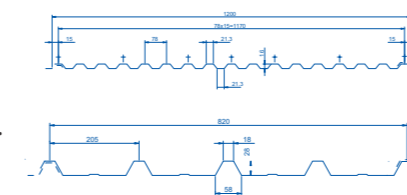
DIY series

Light in weight, easily handled and durable. An ideal solution for a number of applications in and around the house and garden.



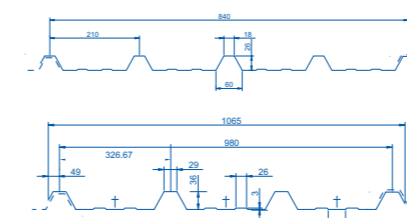
Greenhouse series

Condensation control technology and maximum light transmission makes corrugated sheets a superb greenhouse glazing material.



Daylight series

Marlon CS Agrisheet can be incorporated into corrugated metal and fibre cement roofing and cladding systems to provide natural daylight into farm buildings and sheds.



Options

COLOUR RANGE



CLEAR

Ideal when maximum light transmission is required.

BRONZE

Limits the amount of light entering the building through the roof.

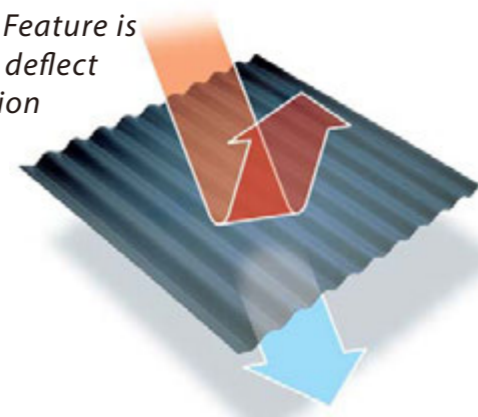
OPAL

Provides privacy and a soft light quality with a white finish.

SPECIALS

Special transparent, translucent and opaque sheets can be manufactured, subject to minimum order quantities.

Heat Guard Feature is designed to deflect solar radiation



HEAT GUARD

Heat guard is created by a specially developed pigment that allows light to enter through the roof at the same time as deflecting solar radiation.

Tests have shown that it can reduce solar transmission through the roof by over 50%.

Heat guard is ideal in any situation where natural light is required but excessive heat build up can be a problem. Like the entire range, Heat guard material includes UV protection which cuts out 98% of harmful radiation.

IR HEAT BLOCK

with Infra Red (IR) Heat Block technology has been designed to cleverly block solar radiation from the sun without compromising on light transmission.

EMBOSSING AND UV PROTECTION

Embossed sheets and UV protection on both sides are available subject to minimum order quantities. Please consult your local distributor for further details.

SHEET THICKNESS

Corrugated sheets is also available in a choice of sheet thickness up to 2mm on selected profiles. The thicker sheet options are significant for high wind load or snow load applications, exceptionally high impact resistance and for wider support centres.

ANTI-DRIP

Specifically designed for horticultural applications, an optional anti-drip surface layer will prevent the formation of water droplets in high humidity environments. This innovative technology can be applied to selected profiles to increase productivity by assisting in minimising fruit and flower spoilage in greenhouse facilities.

